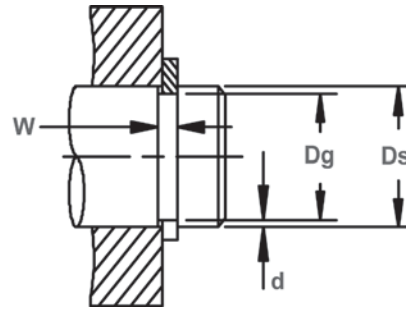
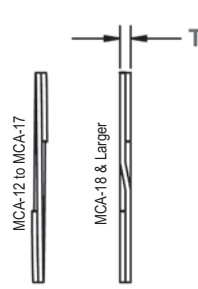


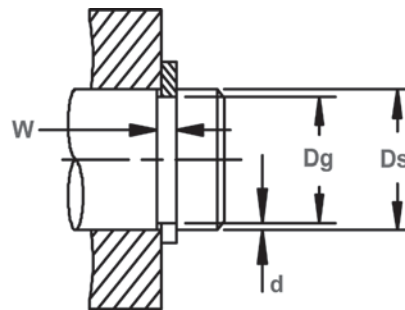
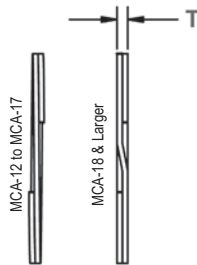
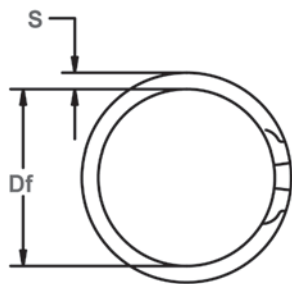
Diámetro libre y las mediciones del anillo



Diámetro del eje y dimensiones de las ranuras

No. DE ANILLO	EJE DIAMETRO (mm)	TAMANO DE RANURA				TAMANO DEL ANILLO						CARGA DE EMPUJE (N)			
		DIAMETRO		ANCHURA		DIAMETRO LIBRE		ESPESOR		SECCION		FACTOR DE SEGURIDAD DE ANILLO 3	FACTOR DE SEGURIDAD DE RANURA 2		
		Ds	Dg	Tol.	W	Tol.	Df	Tol.	T	Tol.	S	Tol.			
MCA-12	12	11.29	±0.06	0.70		11.18		0.60		1.14		7,950	2,100		
MCA-13	13	12.24		1.00		12.13		0.89		1.27		12,100	2,410		
MCA-14	14	13.19		1.00		13.06		0.89		1.27		13,040	2,800		
MCA-15	15	14.09		1.00		13.98		0.89		1.27		13,970	3,360		
MCA-16	16	15.02		1.00		14.90		0.89		1.40		14,900	3,820		
MCA-17	17	16.02		1.00		15.82		0.89		1.40		15,830	4,060		
MCA-18	18	16.92	±0.075	1.20	+0.08 -0.00	16.80		1.07		1.65		20,150	4,730		
MCA-19	19	17.87		1.20		17.73		1.07		1.65		21,270	5,270		
MCA-20	20	18.77		1.20		18.62		1.07		1.65		22,390	6,040		
MCA-21	21	19.72		1.20		19.57		1.07		1.65		23,510	6,550		
MCA-22	22	20.62		1.20		20.45		+0.00 -0.33		1.07		±0.05	1.91	24,630	7,390
MCA-23	23	21.57		1.20		21.39		1.07		1.91		25,750	8,070		
MCA-24	24	22.52		1.20		22.35		1.07		1.91		26,870	8,650		
MCA-25	25	23.42		1.20		23.25		1.07		2.16		27,990	9,620		
MCA-26	26	24.42		1.20		24.21		1.07		2.16		29,110	10,000		
MCA-27	27	25.35	±0.10	1.40		25.04		1.27		2.64		31,170	10,910		
MCA-28	28	26.30		1.40		26.00		1.27		2.64		32,330	11,590		
MCA-29	29	27.27		1.40		26.95		1.27		2.64		33,480	12,290		
MCA-30	30	28.25		1.40		27.92		1.27		2.64		34,640	12,860		
MCA-31	31	29.17		1.40		28.84		1.27		2.64		±0.10	35,790	13,890	
MCA-32	32	30.09		1.40		29.77		1.27		2.64		36,950	14,960		
MCA-34	34	31.90		1.40		31.54		1.27		3.00		39,260	17,390		
MCA-35	35	32.80		1.40		32.44		1.27		3.00		40,410	18,750		
MCA-36	36	33.75		1.40		33.40		1.27		3.00		41,560	19,810		
MCA-37	37	34.67	±0.15	1.40		34.24		1.27		3.00		42,720	21,080		
MCA-38	38	35.66		1.40		35.18		1.27		3.00		43,870	21,650		
MCA-40	40	37.55		1.75		37.15		1.57		3.25		57,090	23,960		
MCA-42	42	39.45	+0.10 -0.00	1.75		39.02		1.57		3.25		59,990	26,180		
MCA-45	45	42.25		1.75		41.77		1.57		3.25		64,230	30,240		
MCA-46	46	43.15		1.75		42.67		+0.00 -0.51		1.57		±0.075	3.25	65,660	32,040
MCA-47	47	44.31		1.75		43.81		1.57		4.01		67,080	30,900		
MCA-48	48	45.05		1.75		44.48		1.57		4.01		68,510	34,600		
MCA-50	50	47.05		1.75		46.69		1.57		4.01		71,370	36,040		
MCA-52	52	50.15	±0.15	1.42		49.62		1.25		3.25		59,090	23,550		
MCA-53	53	51.15		1.42		50.62		1.25		3.25		60,230	24,000		
MCA-54	54	52.15		1.42		51.62		1.25		3.25		61,370	24,460		
MCA-55	55	53.15		1.42		52.62		1.25		3.51		62,500	24,910		
MCA-56	56	54.15		1.42		53.62		1.25		3.51		63,640	25,370		
MCA-58	58	56.01		1.42		55.43		+0.00 -0.63		1.25		±0.08	3.51	65,910	28,250
MCA-59	59	57.01		1.42		56.43		1.25		3.51		67,050	28,730		
MCA-60	60	58.01		1.42		57.43		1.25		3.51		68,180	29,220		
MCA-61	61	58.91		1.42		58.36		1.25		3.51		69,320	31,190		
MCA-62	62	59.91	±0.15	1.42		59.30		1.25		3.76		70,460	31,710		
MCA-63	63	60.91		1.42		60.30		1.25		3.76		71,590	32,220		
MCA-64	64	61.91		1.42		61.25		1.25		3.76		72,730	32,730		

Dimensiones en milímetros a menos que se indique lo contrario.



Diámetro libre y las mediciones del anillo

Diámetro del eje y dimensiones de las ranuras

No. DE ANILLO	EJE DIAMETRO (mm)	TAMANO DE RANURA				TAMANO DEL ANILLO				CARGA DE EMPUJE (N)			
		DIAMETRO		ANCHURA		DIAMETRO LIBRE		ESPESOR		SECCION		FACTOR DE SEGURIDAD DE ANILLO 3	FACTOR DE SEGURIDAD DE RANURA 2
		Ds	Dg	Tol.	W	Tol.	Df	Tol.	T	Tol.	S		
MCA-65	65	62.81	±0.15	1.42	+0.10 -0.00	62.20	+0.00 -0.63	1.25	±0.08	3.76	±0.10	73,870	34,820
MCA-66	66	63.79		1.42		63.16		1.25		3.76		75,000	35,680
MCA-67	67	64.71		1.42		64.16		1.25		3.76		76,140	37,530
MCA-68	68	65.71		1.42		65.08		1.25		4.01		77,270	38,090
MCA-69	69	66.71		1.42		66.06		1.25		4.01		78,410	38,650
MCA-70	70	67.71		1.42		67.08		1.25		4.01		79,550	39,210
MCA-71	71	68.71		1.42		68.04		1.25		4.01		80,680	39,770
MCA-72	72	69.65		1.42		69.00		1.25		4.27		81,820	41,380
MCA-75	75	72.61		1.42		71.93		1.25		4.27		85,230	43,830
MCA-78	78	75.55		1.73		74.84		1.55		4.27		109,910	46,730
MCA-80	80	77.51	±0.15	1.73	+0.00 -0.76	76.80	±0.08	1.55	±0.13	4.52	±0.13	112,730	48,700
MCA-82	82	79.45		1.73		78.72		1.55		4.52		115,550	51,120
MCA-85	85	82.35		1.73		81.62		1.55		4.78		119,780	55,060
MCA-88	88	85.31		1.73		84.53		1.55		4.78		124,000	57,860
MCA-90	90	87.21		1.73		86.43		1.55		5.03		126,820	61,370
MCA-95	95	92.15		1.73		91.37		1.55		5.03		133,870	66,160
MCA-100	100	97.01		1.73		96.10		1.55		5.28		140,910	73,050
MCA-105	105	101.85		1.73		100.94		1.55		5.54		147,960	80,780
MCA-110	110	106.69		1.73		105.75		1.55		5.79		155,000	88,930
MCA-115	115	111.55		1.73		110.59		1.55		6.05		162,050	96,890
MCA-120	120	116.45	±0.175	2.00	+0.00 -1.00	115.49	±0.10	1.83	±0.10	6.35	±0.15	199,640	104,030
MCA-125	125	121.45		2.00		120.44		1.83		6.35		207,960	108,360
MCA-130	130	126.35		2.00		125.34		1.83		6.35		216,280	115,860
MCA-135	135	131.27		2.00		130.20		1.83		6.35		224,600	122,950
MCA-140	140	136.25		2.00		135.14		1.83		6.35		232,920	128,190
MCA-145	145	141.17		2.00		140.00		1.83		6.35		241,230	135,590
MCA-150	150	146.17		2.00		145.00		1.83		6.35		249,550	140,260
MCA-155	155	150.60		2.40		149.33		2.18		7.92		307,190	166,080
MCA-160	160	155.60		2.40		154.31		2.18		7.92		317,100	171,430
MCA-165	165	160.60		2.40		159.23		2.18		7.92		327,010	176,790
MCA-170	170	165.40	2.40	164.00	2.18	7.92	336,920	190,430					
MCA-175	175	170.40	2.40	169.00	2.18	7.92	346,830	196,030					
MCA-180	180	175.20	2.40	173.78	2.18	7.92	356,740	210,400					
MCA-185	185	180.20	2.40	178.70	2.18	7.92	366,650	216,240					
MCA-190	190	185.20	2.40	183.70	2.18	7.92	376,560	220,080					
MCA-195	195	190.00	2.40	188.43	2.18	7.92	386,460	237,420					
MCA-200	200	195.00	2.40	193.43	2.18	7.92	396,370	243,510					
MCA-210	210	204.60	±0.15	2.40	+0.15 -0.00	202.93	±0.10	2.18	±0.15	9.53	±0.15	416,190	276,140
MCA-220	220	214.40		2.40		212.65		2.18		9.53		436,010	300,010
MCA-230	230	224.40		2.40		222.60		2.18		9.53		455,830	313,640
MCA-240	240	234.20		2.40		232.32		2.18		9.53		475,650	328,970
MCA-250	250	243.80		2.40		241.83		2.18		9.53		495,470	377,440
MCA-260	260	253.60		2.40		251.57		2.18		9.53		515,290	405,210
MCA-270	270	263.40		2.40		261.30		2.18		9.53		535,100	433,940
MCA-280	280	273.20		2.40		271.04		2.18		9.53		554,920	463,650

Dimensiones en milímetros a menos que se indique lo contrario.