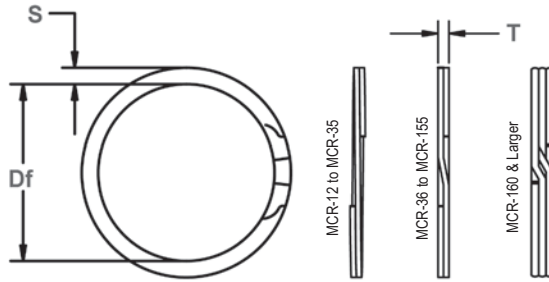


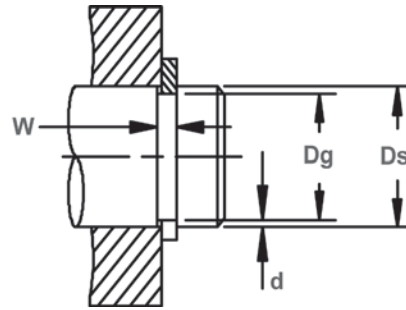
MCR Anillos en Espiral de Eje

Externo, Trabajo Pesado-Mediano, Métrico

Con capacidades de carga más cercanas a la serie para trabajo pesado, y las dimensiones de ranura casi universales, estos anillos ofrecer mayor facilidad de montaje con mayor capacidad de empuje.

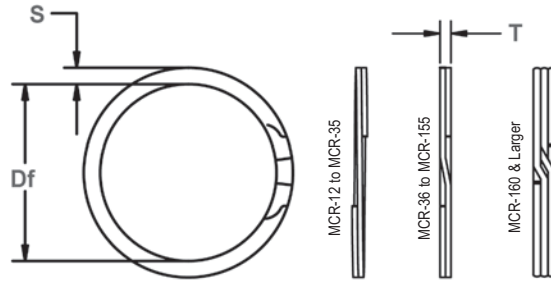


Diámetro libre y las mediciones del anillo

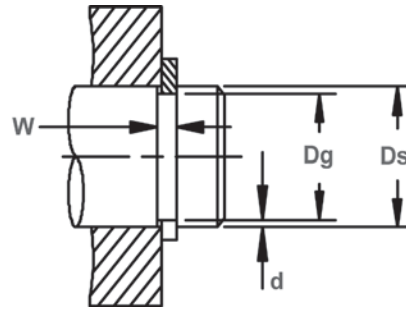


Diámetro del eje y dimensiones de las ranuras

No. DE ANILLO	EJE DIAMETRO (mm)	TAMANO DE RANURA				TAMANO DEL ANILLO						CARGA DE EMPUJE (n)	
		DIAMETRO		ANCHURA		DIAMETRO LIBRE		ESPESOR		SECCION		FACTOR DE SEGURIDAD DE ANILLO 3	FACTOR DE SEGURIDAD DE RANURA 2
		Ds	Dg	Tol.	W	Tol.	Df	Tol.	T	Tol.	S	Tol.	
MCR-12	12	11.34		1.00		11.21		0.89		1.14		10641	1384
MCR-13	13	12.34		1.00		12.21		0.89		1.14		11528	1678
MCR-14	14	13.30		1.00		13.15		0.89		1.14		12415	2069
MCR-15	15	14.28		1.00		14.13		0.89		1.14		13302	2499
MCR-16	16	15.28		1.00		15.13		0.89		1.40		14188	2837
MCR-17	17	16.20		1.00		16.05		0.89		1.40		15075	3609
MCR-18	18	17.14		1.17		16.96		1.07		1.65		19190	3571
MCR-19	19	18.12	+0.08	1.17	+0.08	17.94	+0.00	1.07		1.65		20256	4148
MCR-20	20	19.08	-0.08	1.17	-0.00	18.90	-0.33	1.07		1.65		21323	4878
MCR-21	21	20.08		1.17		19.88		1.07		1.65		22389	5397
MCR-22	22	20.94		1.17		20.74		1.07		1.90		23455	6765
MCR-23	23	21.94		1.17		21.74		1.07		1.90		24521	7511
MCR-24	24	22.94		1.17		22.74		1.07	+0.05	1.90		25587	8297
MCR-25	25	23.88		1.17		23.68		1.07	-0.05	1.90		26653	9608
MCR-26	26	24.84		1.17		24.69		1.07		1.90		27719	10412
MCR-27	27	25.80		1.42		25.55		1.27		2.24		31195	8706
MCR-28	28	26.80		1.42		26.55		1.27		2.24		32350	9487
MCR-29	29	27.74		1.42		27.46		1.27		2.24		33506	10629
MCR-30	30	28.68		1.42		28.40		1.27		2.24		34661	12032
MCR-32	32	30.60		1.42		30.32		1.27		2.50		36972	14621
MCR-33	33	31.50	+0.10	1.42		31.22	+0.00	1.27		2.50	+0.08	38127	16774
MCR-34	34	32.40	-0.10	1.42		32.12	-0.40	1.27		2.50	-0.13	39283	18781
MCR-35	35	33.36		1.42		33.06		1.27		2.75		40438	19917
MCR-36	36	34.28		1.42		33.98		1.27		2.75		41953	21377
MCR-37	37	35.28		1.42	+0.10	34.88		1.27		2.75		42749	21971
MCR-38	38	36.20		1.42	-0.00	35.90		1.27		2.75		43904	23614
MCR-39	39	37.70		1.73		37.40		1.58		3.00		56058	22989
MCR-40	40	38.12		1.73		37.76		1.58		3.00		57496	24462
MCR-42	42	40.08		1.73		39.72		1.58		3.00		60370	27840
MCR-43	43	41.08		1.73		40.69	+0.00	1.58		3.00		61808	28503
MCR-44	44	41.96	+0.13	1.73		41.60	-0.50	1.58		3.25		63245	29166
MCR-45	45	42.90	-0.13	1.73		42.54		1.58		3.25		64683	32625
MCR-47	47	44.80		1.73		44.39		1.58		3.25		67557	35698
MCR-48	48	45.80		1.73		45.39		1.58	+0.08	3.25		68995	36457
MCR-50	50	47.70		1.73		47.29		1.58	-0.08	3.25		71870	39703
MCR-52	52	49.66		2.18		49.28		1.98		3.58		93667	42009
MCR-53	53	50.60		2.18		50.25		1.98		3.58		95468	43914
MCR-54	54	51.50		2.18		51.11		1.98		3.58		97270	46607
MCR-55	55	52.46		2.18		52.05		1.98		3.58		99071	48230
MCR-56	56	53.46	+0.15	2.18	+0.13	53.06	+0.00	1.98		3.58		100872	49107
MCR-58	58	55.26	-0.15	2.18	-0.00	54.83	-0.63	1.98		3.58		104475	54865
MCR-59	59	56.26		2.18		55.75		1.98		3.58		106276	55811
MCR-60	60	57.20		2.18		56.77		1.98		3.58		108077	58000
MCR-61	61	58.20		2.18		57.73		1.98		3.58		109879	58967
MCR-62	62	59.16		2.18		58.70		1.98		3.58		111680	60790



Diámetro libre y las mediciones del anillo



Diámetro del eje y dimensiones de las ranuras

No. DE ANILLO	EJE DIAMETRO (mm)	TAMANO DE RANURA				TAMANO DEL ANILLO						CARGA DE EMPUJE (n)	
		DIAMETRO		ANCHURA		DIAMETRO LIBRE		ESPESOR		SECCION		FACTOR DE SEGURIDAD DE ANILLO 3	FACTOR DE SEGURIDAD DE RANURA 2
		Ds	Dg	Tol.	W	Tol.	Df	Tol.	T	Tol.	S		
MCR-63	63	60.10		2.18		59.62		1.98		4.77		113481	63075
MCR-64	64	61.10		2.18		60.62		1.98		4.77		115282	64076
MCR-65	65	62.10		2.18		61.62	+0.00	1.98		4.77		117084	65078
MCR-66	66	63.04		2.18		62.58	-0.63	1.98		4.77		118885	67446
MCR-67	67	63.90		2.18		64.38		1.98		4.77		120686	71706
MCR-68	68	64.90		2.18		64.40		1.98		4.77		122488	72777
MCR-69	69	65.90		2.18		65.38		1.98		4.77		124289	73847
MCR-70	70	66.86		2.62		66.33		2.36		4.77		143133	75884
MCR-71	71	67.70		2.62		67.15		2.36		4.77		145177	80890
MCR-72	72	68.70		2.62		68.20		2.36		4.77		147222	82029
MCR-75	75	71.54	+0.15	2.62	+0.13	71.00	+0.00	2.36	+0.08	4.77	+0.10	153356	89590
MCR-78	78	74.40	-0.15	2.62	-0.00	73.82	-0.75	2.36	-0.08	4.77	-0.15	159491	96943
MCR-80	80	76.30		2.62		75.69		2.36		4.77		163580	102191
MCR-82	82	78.20		2.62		77.57		2.36		4.77		167670	107577
MCR-85	85	81.10		2.62		80.44		2.36		4.77		173804	114447
MCR-88	88	84.00		2.62		83.34		2.36		4.77		179938	121524
MCR-90	90	85.90		3.05		85.27		2.82		6.35		219897	127393
MCR-95	95	90.60		3.05		89.91		2.82		6.35		232114	144310
MCR-100	100	95.40		3.05		94.70		2.82		6.35		244330	158810
MCR-105	105	100.32		3.05		99.61	+0.00	2.82		6.35		256547	169651
MCR-110	110	105.32		3.05		104.60	-1.00	2.82		6.35		268763	177729
MCR-115	115	110.16		3.05		109.40		2.82		6.35		280980	192160
MCR-120	120	114.92		3.05		114.03		2.82		6.35		293197	210458
MCR-125	125	119.70		3.05		118.81		2.82		6.35		305413	228721
MCR-130	130	124.56		3.05		123.65		2.82		6.35		317630	244153
MCR-135	135	129.40		3.53		128.50		3.23		9.52		377802	261001
MCR-140	140	134.06	+0.18	3.53	+0.15	133.15	+0.00	3.23	+0.10	9.52		391795	287101
MCR-145	145	138.80	-0.18	3.53	-0.00	137.80	-1.27	3.23	-0.10	9.52		405788	310370
MCR-150	150	143.64		3.53		142.60		3.23		9.52		419780	329359
MCR-155	155	148.50		3.53		147.43		3.23		9.52		433773	347829
MCR-160	160	153.30		4.42		152.11		4.20		7.92		582234	370097
MCR-165	165	158.00		4.42		156.81		4.20		7.92		600429	398752
MCR-170	170	162.80		4.42		161.61	+0.00	4.20		7.92		618624	422573
MCR-175	175	167.60		4.42		166.41	-1.52	4.20		7.92		636819	447085
MCR-180	180	172.40		4.42		171.20		4.20		7.92	+0.10	655014	472288
MCR-185	185	177.40		4.42		176.18		4.20		7.92	-0.20	673208	485407
MCR-190	190	182.40	+0.20	5.30	+0.20	181.13		4.80	+0.13	9.52		790175	498526
MCR-195	195	186.60	-0.20	5.30	-0.00	185.33		4.80	-0.13	9.52		810969	565503
MCR-200	200	191.52		5.30		190.14		4.80		9.52		831763	585526
MCR-210	210	201.20		5.30		199.80		4.80		9.52		873351	638003
MCR-220	220	210.80		5.30		209.30	+0.00	4.80		9.52		914940	698765
MCR-230	230	220.36		5.30		218.74	-1.78	4.80		9.52		956528	765465
MCR-240	240	230.00		5.30		228.30		4.80		9.52		998116	828575
MCR-250	250	239.40		5.30		237.70		4.80		9.52		1039704	914885
MCR-260	260	249.20		5.30		247.50		4.80		9.52		1081292	969433
MCR-270	270	259.10		5.30		257.33		4.80		9.52		1122880	1016040
MCR-280	280	269.00		5.30		267.17		4.80		9.52		1164468	1063338