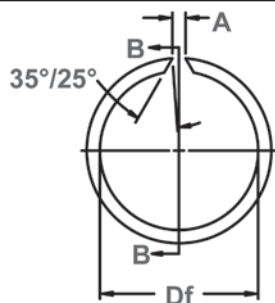


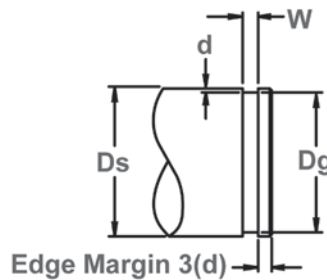
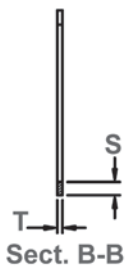
Anillo Chasqueado, Externo, en pulgadas

Una vez instalado en la ranura de un eje, la parte del anillo que sobresale de la ranura tiene un conjunto en su lugar.

USC Anillos Sección Constante



Diámetro libre y medidas del anillo



Diámetro del eje y dimensiones de la ranura

Material: SAE 1060-1075

TAMAÑO DEL ANILLO	DIAMETRO DEL EJE			TAMAÑO DE RANURA			DIMENSIONES DEL ANILLO					CARGA DE EMPUJE ESTÁTICA ADMISIBLE (Lbs.)									
	Ds DEC	Ds FRACT.	Ds mm	DIAMETRO		ANCHURA	PROFUNDIDAD	DIAMETRO LIBRE		ESPESOR	SECCION		SEPARACIÓN LIBRE A								
				Dg	TOL.			W	d		Df		TOL.	T	S	TOL.	Min	Max			
USC-31	.312	5/16	7.92	.290	+/- .002	.028	.011	.281	+ .000	.025	.040	.031	.156	180							
USC-34	.344	11/32	8.74	.322											.012	.312	.025	.040	.031	.156	190
USC-35	.354	-	8.99	.330											.012	.320	.025	.040	.031	.156	210
USC-37	.375	3/8	9.53	.351											.012	.341	.025	.040	.031	.156	230
USC-39	.393	-	10.31	.369											.012	.359	.025	.040	.031	.156	260
USC-40	.406	13/32	11.13	.382											.012	.372	.025	.040	.031	.156	280
USC-43	.438	7/16	11.91	.412											.013	.402	.025	.040	.031	.156	300
USC-46	.469	15/32	12.70	.443											.013	.433	.025	.040	.031	.156	320
USC-50	.500	1/2	14.00	.474											.013	.464	.035	.048	.062	.218	460
USC-55	.551	-	14.27	.524											.013	.514	.035	.048	.062	.218	480
USC-56	.562	9/16	15.09	.534	.014	.524	.035	.048	.062	.218	490										
USC-59	.594	19/32	15.88	.566	.014	.555	.035	.048	.062	.218	510										
USC-62	.625	5/8	17.00	.597	.014	.586	.035	.062	.062	.218	520										
USC-66	.669	-	17.00	.640	.015	.630	.035	.062	.062	.218	570										
USC-68	.688	11/16	18.00	.656	.016	.644	.042	.062	.062	.218	700										
USC-75	.750	3/4	19.05	.716	.017	.703	.042	.062	.062	.218	820										
USC-78	.781	25/32	19.84	.745	.018	.733	.042	.062	.062	.218	950										
USC-81	.812	13/16	20.62	.776	.018	.764	.042	.062	.062	.218	1010										
USC-87	.875	7/8	22.23	.835	.020	.820	.042	.078	.093	.250	1100										
USC-93	.938	15/16	23.83	.896	.021	.881	.042	.078	.093	.250	1130										
USC-98	.984	63/64	25.00	.940	.022	.925	.042	.078	.093	.250	1170										
USC-100	1.000	1	25.40	.956	.022	.941	.042	.093	.156	.312	1200										
USC-102	1.023	-	25.98	.977	.023	.962	.042	.093	.156	.312	1300										
USC-106	1.062	1-1/16	26.97	1.016	.023	1.000	.050	.093	.156	.312	1600										
USC-112	1.125	1-1/8	28.58	1.075	.025	1.060	.050	.093	.156	.312	1880										
USC-118	1.188	1-3/16	30.18	1.136	.026	1.121	.050	.093	.156	.312	1990										
USC-125	1.250	1-1/4	31.75	1.194	.028	1.179	.050	.093	.156	.312	2090										
USC-131	1.312	1-5/16	33.32	1.25	.031	1.232	.050	.093	.156	.312	2100										
USC-137	1.375	1-3/8	34.93	1.309	.033	1.291	.050	.109	.156	.312	2300										
USC-143	1.438	1-7/16	36.53	1.370	.034	1.351	.050	.109	.156	.312	2460										
USC-150	1.500	1-1/2	38.10	1.430	.035	1.408	.050	.109	.156	.312	2500										

Dureza: Todos los tamaños de los anillos - HRC 42-53

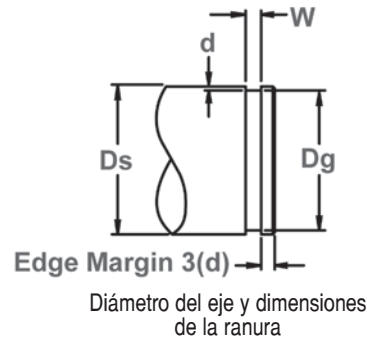
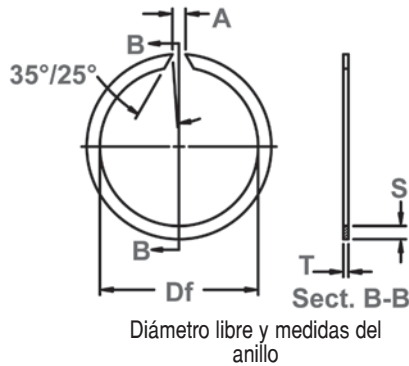
Para los estilos de corte alternativos, póngase en contacto con Ventas Técnicas Rotor Clip al 1-800-557-6867 (E-mail: tech@rotorclip.com)





USC Anillos Sección Constante

Anillo Chasqueado, Externo, en pulgadas
Una vez instalado en la ranura de un eje, la parte del anillo que sobresale de la ranura tiene un conjunto en su lugar.



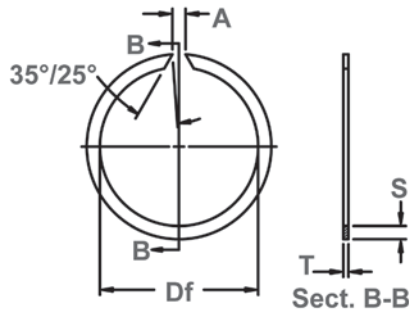
Material: SAE 1060-1075

TAMAÑO DEL ANILLO	DIAMETRO DEL EJE			TAMAÑO DE RANURA			DIMENSIONES DEL ANILLO				CARGA DE EMPUJE ESTÁTICA ADMISIBLE (Lbs.)				
	D _s DEC	D _s FRACT.	D _s mm	DIAMETRO		ANCHURA	PROFUNDIDAD	DIAMETRO LIBRE		SECCION		SEPARACIÓN LIBRE A			
				D _g	TOL.			W	d	D _f		TOL.	T	S	TOL.
USC-156	1.562	1-9/16	39.67	1.490	+/- .004	.068	.036	1.467	+ .000	.062	.125	+/- .005	.156	.375	3060
USC-162	1.625	1-5/8	41.28	1.551			.037	1.527		.062	.125		.156	.375	3190
USC-168	1.688	1-11/16	42.90	1.611			.038	1.581		.062	.125		.156	.375	3370
USC-175	1.750	1-3/4	44.40	1.670			.04	1.640		.062	.125		.156	.375	3510
USC-177	1.772	-	45.00	1.687			.042	1.657		.062	.141		.156	.375	3550
USC-181	1.812	1-13/16	46.00	1.728			.042	1.698		.062	.141		.156	.375	3640
USC-187	1.875	1-7/8	47.60	1.789			.043	1.759		.062	.156		.156	.375	3760
USC-196	1.969	1-31/32	50.00	1.879			.045	1.849		.062	.156		.156	.375	3940
USC-200	2.000	2	50.80	1.910			.045	1.880		.062	.156		.156	.375	4010
USC-206	2.062	2-1/16	52.40	1.966			.048	1.936		.078	.156		.156	.375	5350
USC-212	2.125	2-1/8	54.00	2.027	.049	1.997	.078	.156	.156	.375	5470				
USC-215	2.156	2-5/32	54.80	2.056	.050	2.026	.078	.156	.156	.375	5680				
USC-225	2.250	2-1/4	57.10	2.146	.052	2.116	.078	.156	.156	.375	5790				
USC-231	2.312	2-5/16	58.70	2.204	.054	2.174	.078	.187	.156	.375	6300				
USC-237	2.375	2-3/8	60.30	2.265	.055	2.235	.078	.187	.156	.375	6400				
USC-243	2.438	2-7/16	61.90	2.325	.056	2.295	.078	.187	.156	.375	6500				
USC-250	2.500	2-1/2	63.50	2.386	.057	2.356	.078	.187	.156	.375	6600				
USC-255	2.559	-	65.00	2.443	.058	2.413	.078	.187	.156	.375	6700				
USC-262	2.625	2-5/8	66.70	2.505	.060	2.475	.078	.187	.156	.375	6800				
USC-268	2.688	2-11/16	68.30	2.565	.061	2.535	.078	.187	.156	.375	6900				
USC-275	2.750	2-3/4	69.80	2.624	.063	2.594	.093	.187	.187	.437	8460				
USC-287	2.875	2-7/8	73.00	2.743	.066	2.713	.093	.187	.187	.437	8840				
USC-293	2.938	2-15/16	74.60	2.801	.068	2.771	.093	.187	.187	.437	9030				
USC-300	3.000	3	76.20	2.860	.070	2.830	.093	.218	.187	.437	9230				
USC-306	3.062	3-1/16	77.80	2.920	.071	2.890	.093	.218	.187	.437	9420				
USC-312	3.125	3-1/8	79.40	2.981	.072	2.951	.093	.218	.187	.437	9630				
USC-315	3.156	3-5/32	80.20	3.010	.073	2.980	.093	.218	.187	.437	9800				
USC-325	3.250	3-1/4	82.50	3.100	.075	3.070	.093	.250	.187	.437	10000				
USC-334	3.346	3-11/32	85.00	3.190	.077	3.160	.093	.250	.187	.437	10290				
USC-343	3.438	3-7/16	87.3	3.281	.078	3.251	.093	.250	.187	.437	10570				

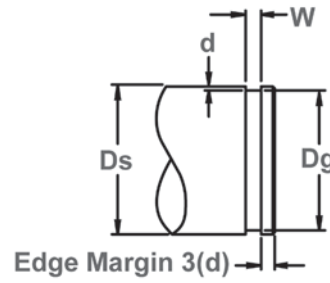
Dureza: Todos los tamaños de los anillos - HRC 42-53

Para los estilos de corte alternativos, póngase en contacto con Ventas Técnicas Rotor Clip al 1-800-557-6867 (E-mail: tech@rotorclip.com)





Diámetro libre y medidas del anillo



Diámetro del eje y dimensiones de la ranura

Material: SAE 1060-1075

TAMAÑO DEL ANILLO	DIAMETRO DEL EJE			TAMAÑO DE RANURA				DIMENSIONES DEL ANILLO				CARGA DE EMPUJE ESTÁTICA ADMISIBLE (Lbs.)				
	Ds DEC	Ds FRACT.	Ds mm	DIAMETRO		ANCHURA	PROFUNDIDAD	DIAMETRO LIBRE		ESPESOR			SECCIÓN		SEPARACIÓN LIBRE A	
				Dg	TOL.			W	d	Df	TOL.		T	S	TOL.	Min
										+/- .002	+/- .005					
USC-350	3.500	3-1/2	88.9	3.340			.080	3.305			.109	.250		250	.562	11970
USC-354	3.543	-	90.0	3.381			.081	3.346			.109	.250		250	.562	12120
USC-362	3.625	3-5/8	92.1	3.458			.083	3.423	+ .008		.109	.250		250	.562	12300
USC-368	3.688	3-11/16	93.7	3.517			.085	3.482	- .078		.109	.250		250	.562	12600
USC-375	3.750	3-3/4	95.2	3.576			.087	3.541			.109	.250		250	.562	12800
USC-387	3.875	3-7/8	98.4	3.697			.089	3.657			.109	.281		250	.562	13200
USC-393	3.938	3-15/16	100.0	3.758			.090	3.713			.109	.281		250	.562	13470
USC-400	4.000	4	101.6	3.816	+/- .006		.092	3.771			.109	.281		250	.656	13650
USC-425	4.250	4-1/4	108.0	4.066			.092	4.016	+ .000		.109	.281		250	.656	15000
USC-437	4.375	4-3/8	111.1	4.191			.092	4.141	- .093		.109	.281		250	.656	15500
USC-450	4.500	4 1/2	114.3	4.310			.095	4.255			.109	.312		250	.656	16200
USC-475	4.750	4-3/4	120.6	4.550			.100	4.495			.109	.312		250	.656	16480
USC-500	5.000	5	127.0	4.790			.105	4.730			.109	.312		250	.656	17110
USC-525	5.250	5-1/4	133.3	5.030			.110	4.970	+ .000		.125	.375	+/- .005	250	.750	20590
USC-550	5.500	5-1/2	139.7	5.266			.117	5.206	- .125		.125	.375		250	.750	21790
USC-575	5.750	5-3/4	146.0	5.506			.122	5.446			.125	.375		250	.750	23010
USC-590	5.900	-	149.9	5.656			.122	5.600	+ .000		.125	.375		250	.750	23625
USC-600	6.000	6	152.4	5.746			.127	5.687	- .125		.125	.375		250	.750	24000
USC-625	6.250	6-1/4	158.7	5.986			.132	5.916			.156	.437		250	.750	30310
USC-650	6.500	6-1/2	165.1	6.226			.137	6.151			.156	.437		250	.750	33760
USC-675	6.750	6-3/4	171.4	6.466			.142	6.386	+ .008		.156	.437		250	.750	36840
USC-700	7.000	7	177.8	6.706			.147	6.621	- .000		.156	.437		250	.750	39920
USC-725	7.250	7-1/4	184.2	6.930			.160	6.840			.187	.500		250	.875	43100
USC-750	7.500	7-1/2	190.5	7.180	+/- .008		.160	7.090			.187	.500		250	.875	44500
USC-800	8.000	8	203.2	7.660			.170	7.560			.187	.500		250	.875	45500
USC-850	8.500	8-1/2	215.9	8.160			.170	8.050	+ .000		.187	.500		250	.875	46700
USC-900	9.000	9	228.6	8.660			.170	8.545	- .156		.187	.500		250	.875	49900
USC-925	9.250	9-1/4	234.9	8.910			.170	8.800			.187	.500		250	.875	51000
USC-950	9.500	9-1/2	241.3	9.160			.170	9.040			.187	.500		250	.875	52590
USC-1000	10.000	10	254.0	9.660			.170	9.535			.187	.500		250	.875	55600

Dureza: Todos los tamaños de los anillos - HRC 42-53